

16A 2-pole up to 50 V |
16A 3-pole up to 50 V |



Technical data

Ex-plugs and receptacles for low voltage, 2- and 3-pole acc. to IEC 60309-1/2

Marking accd. to 94/9/EC	II 2 G Ex de [ia] IIC T6/T5
EC-Type Examination Certificate	Wall socket, plug and coupler: PTB 99 ATEX 1039 Flange socket: PTB 99 ATEX 1063 U
IECEX Certificate of Conformity	IECEX BKI 04.0002
Marking accd. to IECEx	Ex ed [ia] IIC T6/T5
Permissible ambient temperature	-20 °C to +40 °C
Rated voltage	up to 50 V
Rated current	16 A
Frequency	up to 400 Hz
Rated making / Rated breaking capacity AC-3 accd. EN 60947-3	U _e 50 V / I _e 16 A
External back-up fuse, max.	without therm. protection: 16 A / with therm. protection: 35 A
Degree of protection accd. to EN 60529	IP54 (IP 66 optional)

Wall socket

Cable entry	1 x M25 Ø 8 - 17 mm, 1 x M25 plastic Ex-screw plug (bottom) or 2 x metal thread M20 with screw plug plastic
Connecting terminals	2 x 1.5 ² - 4 mm ²
Enclosure material	glass-fibre reinforced polyester

Plug

Cable entry	Ø 9 - 17 mm
Connecting terminals	1.0 - 4 mm ²
Enclosure material	Polyamide

Coupler

Cable entry	Ø 9 - 17 mm
Connecting terminals	1.5 - 4 mm ²
Enclosure material	Polyamide

Flange socket

Connecting terminals	1.5 - 4 mm ²
Enclosure material	Polyamide



Ordering details

Voltage	h	Type	Cable gland	Weight approx.	Order No.
Type 2-pole low voltage					
≤ 24 V		Wall socket	M25 KU	1.2 kg	GHG 513 4200 R0001
		Flange socket		0.4 kg	GHG 542 5200 V0000
		Coupler		0.7 kg	GHG 513 3200 R0001
		Plug		0.35 kg	GHG 542 2200 V0000
42 V		Wall socket	M25 KU	1.2 kg	GHG 513 4212 R0001
		Flange socket		0.4 kg	GHG 542 5212 V0000
		Coupler		0.7 kg	GHG 513 3212 R0001
		Plug		0.35 kg	GHG 542 2212 V0000
Type 3-pole low voltage					
≤ 24 V		Wall socket	M25 KU	1.2 kg	GHG 513 4300 R0001
		Flange socket		0.4 kg	GHG 542 5300 V0000
		Coupler		0.7 kg	GHG 513 3300 R0001
		Plug		0.35 kg	GHG 542 2300 V0000
42 V		Wall socket	M25 KU	1.2 kg	GHG 513 4312 R0001
		Flange socket		0.4 kg	GHG 542 5312 V0000
		Coupler		0.7 kg	GHG 513 3312 R0001
		Plug		0.35 kg	GHG 542 2312 V0000

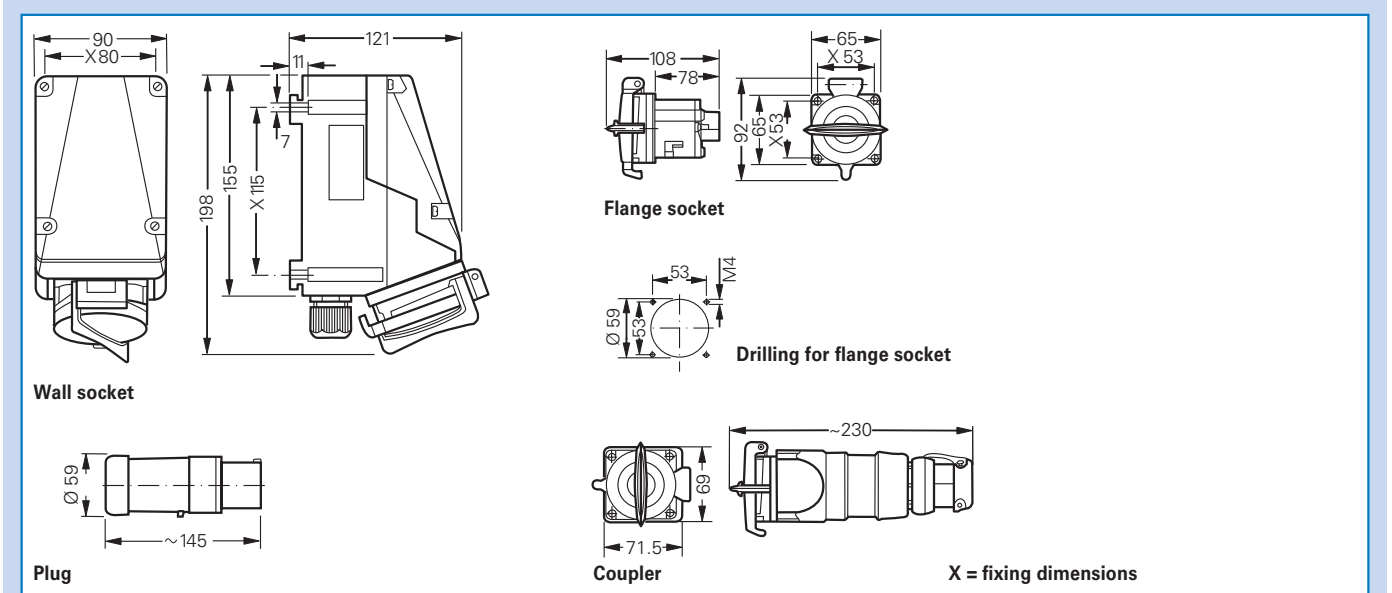
Other voltage ranges and versions available on request

KU = 1 x plastic cable glands M25 for Ø 8-17 mm, 1 x M25 plastic Ex-screw plug

Accessories

Type	Application	Fixing method	Order No.
Mounting plate size 4	Wall mounting	snap on for GHG 531 4/5 pole	GHG 610 1953 R0151
Mounting plate size 4	Wall mounting	snap on for GHG 531 3 pole	GHG 610 1953 R0152
Protective canopy size 4		pluggable	GHG 610 1955 R0107

Dimension drawing



| 10A 21-pole up to 250 V |

1



Wall socket



Plug

Technical data

Ex-plugs and receptacles, 21-pole

Marking accd. to 94/9/EC	II 2 G Ex e II T6
EC-Type Examination Certificate	PTB 00 ATEX 1109
Permissible ambient temperature	-20 °C to + 40 °C
Rated voltage	250 V AC
Rated current	10 A
Frequency	up to 400 Hz
External back up fuse	without therm. protection: 10 A with therm. protection: 16 A gL (rated current 10 A set to)
Protection class	I
Degree of protection accd. to EN 60529	IP65
Enclosure colour	black

Wall socket

Cable entry/enclosure drilling	1 x M40 Ø 17 - 28 mm, 1 x M32 metal thread with plastic Ex-screw plug
Connecting terminals	1 x 1.0 - 2.5 mm ²
Enclosure material	glass-fibre reinforced polyester

Plug

Cable entry	Ø 19 - 28 mm
Connecting terminals	1 x 1.0 - 2.5 mm ² crimp or solder connection ¹⁾
Enclosure material	Polyamide

¹⁾ Please use appropriate crimp tool



Plug

Wall socket

1

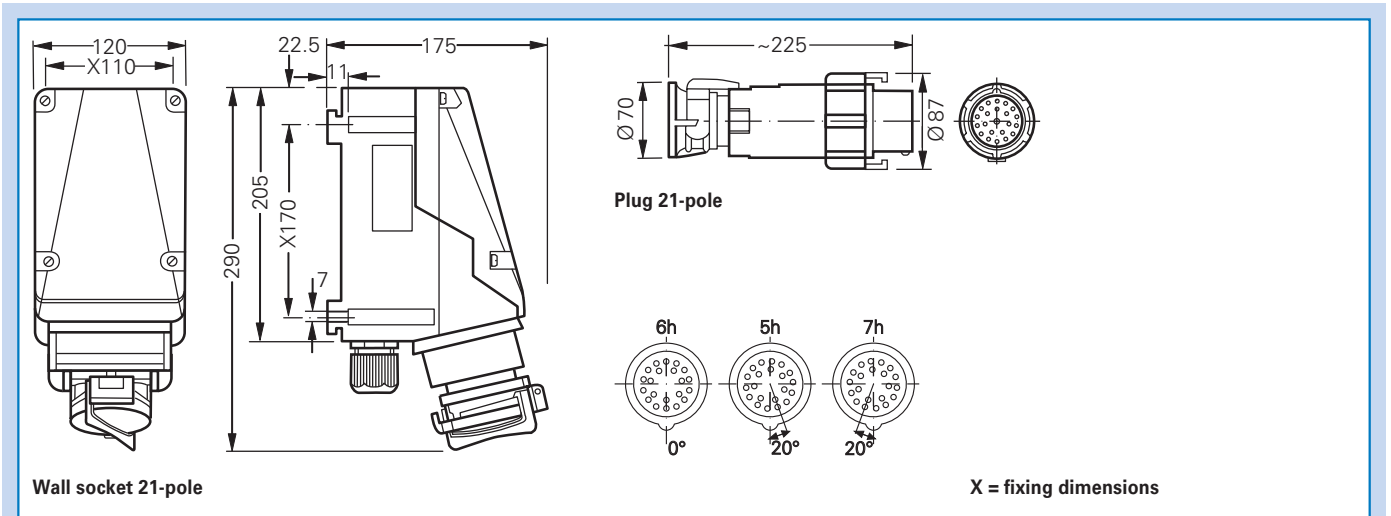
Ordering details

Type	h	Cable gland	Weight	Order No.
Type 10 A 21-pole				
Wall socket	5 h	KU	1.8 kg	GHG 511 4905 R0001
Wall socket	5 h	ME	1.9 kg	GHG 511 4905 R3001
Plug	5 h		0.7 kg	GHG 591 2201 R0001
Wall socket	6 h	KU	1.8 kg	GHG 511 4906 R0001
Wall socket	6 h	ME	1.9 kg	GHG 511 4906 R3001
Plug	6 h		0.7 kg	GHG 591 2201 R0002
Wall socket	7 h	KU	1.8 kg	GHG 511 4907 R0001
Wall socket	7 h	ME	1.9 kg	GHG 511 4907 R3001
Plug	7 h		0.7 kg	GHG 591 2201 R0003

Type	Application	Fixing method	Order No.
Accessories			
Plug cap 21-pole			GHG 530 1935 R0008
Mounting plate size 5	for wall mounting	snap on	GHG 610 1953 R0128
Mounting plate size 5	for trellis mounting	snap on	GHG 610 1953 R0128
Mounting plate size 5	for pipe clamp	snap on	GHG 610 1953 R0132
Socket bushes 1 set = 7 pcs.			GHG 590 1301 R0102
Plug pins 1 set = 7 pcs.			GHG 590 1302 R0102
Ex-crimping tool for sockets and pins			GHG 590 1902 R0001
Dismanteling tool for sockets and pins			GHG 590 1903 R0001

KU = 1 x plastic cable glands M40 for Ø 17-28 mm
 ME = 1 x metal thread M32 with plastic Ex-screw plug

Dimension drawing | Coding



X = fixing dimensions

Dimensions in mm

| 20A 7-pole up to 500 V |



Technical data

Ex-plugs and receptacles, 7-pole

Marking accd. to 94/9/EC	⊕ II 2 G Ex ed IIC T6/T5
EC-Type Examination Certificate	PTB 00 ATEX 1109
Permissible ambient temperature	-20 °C to + 40 °C
Rated voltage	500 V
Rated current	16 A (T6) / 20 A (T5)
Frequency	up to 400 Hz
Rated making / Rated breaking capacity AC-3 accd. EN 60947-4	U _e 500 V / I _e 10 A U _e 250 V / I _e 16 A
External back up fuse	without therm. protection: 16 A with therm. protection: 25 A gL (rated current 16/20 A set to)
Protection class	I
Degree of protection accd. to EN 60529	IP66
Enclosure colour	black

Wall socket

Cable entry/enclosure drilling	1 x M40 Ø 19 - 28 mm, 1 plastic Ex-screw plug 2 x M32 metal thread with 2 plastic Ex-screw plug
Connecting terminals	2 x 1.5 - 4 mm ²
Enclosure material	glass-fibre reinforced polyester

Plug

Cable gland	Ø 9 - 17 mm
Connecting terminals	1 x 1.0 - 2.5 mm ² crimp or solder connection ¹⁾
Enclosure material	Polyamide

¹⁾ Please use appropriate crimp tool



Plug

Wall socket

1

Ordering details

Type	h	Cable gland	Weight	Order No.
Type 20 A 7-pole				
Wall socket 7-pole	6 h	KU	2.2 kg	GHG 511 4706 R0001
Wall socket 7-pole	6 h	ME	2.3 kg	GHG 511 4706 R3001
Plug 7-pole	6 h		0.3 kg	GHG 592 2001 R0002
Wall socket 6-pole + PE	7 h	KU	2.2 kg	GHG 511 4707 R0003
Wall socket 6-pole + PE	7 h	ME	2.3 kg	GHG 511 4707 R3003
Plug 6-pole + PE	7 h		0.3 kg	GHG 592 2001 R0022

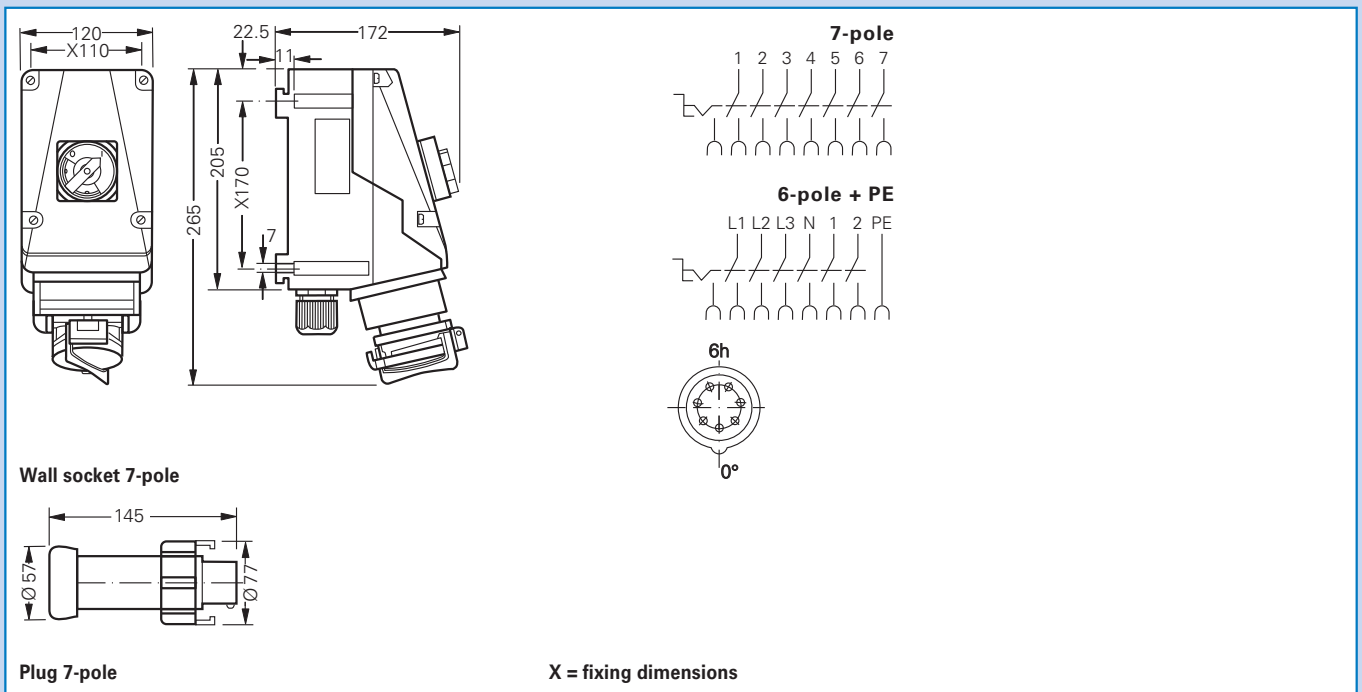
Type	Application	Fixing method	Order No.
Accessories			
Plug cap 7-pole			GHG 540 1935 R0002
Mounting plate size 5	for wall mounting	snap on	GHG 610 1953 R0128
Mounting plate size 5	for trellis mounting	snap on	GHG 610 1953 R0128
Mounting plate size 5	pipe clamp	snap on	GHG 610 1953 R0132
Socket bushes 1 set = 7 pcs.			GHG 590 1301 R0102
Plug pins 1 set = 7 pcs.			GHG 590 1302 R0102
Ex-crimping tool for sockets and pins			GHG 590 1902 R0001
Dismanteling tool for sockets and pins			GHG 590 1903 R0001

Other voltage ranges and versions available on request

KU = 1 x plastic cable glands M40 Ø 19-28 mm, 1 x M40 with plastic Ex-screw plug

ME = 2 x metal thread M32 with plastic Ex-screw plug

Dimension drawing | Wiring diagram



Dimensions in mm